

Read Function

43.75 μ m



More Accessible

Sophisticated, exquisite form.

Space-saving design in a compact size.

Sufficient throughput for higher department efficiency.

Dramatically evolved new Regius
maintaining high-quality diagnostic images.

A CR that is this accessible is hard to find.

Direct Digitizer REGIUS MODEL 110 HQ

Exposure Size

14"×17" / 14"×14" / 11"×14" / 10"×12" / 8"×10"
18×24cm / 24×30cm / 15×30cm and other sizes

Sampling Pitch

87.5 μ m / 175 μ m / 43.75 μ m

Maximum Resolution

6776×5440 (24×30cm / 43.75 μ m)
4020×4892 (14"×17" / 87.5 μ m)

Digital Gradation Level

4096 levels (12 bit)

Processing Capacity

approx. 80 plates / hour (14" ×14" / 175 μ m)

Outer Dimensions / Weight

W740 × D365 × H747mm / approx. 100kg

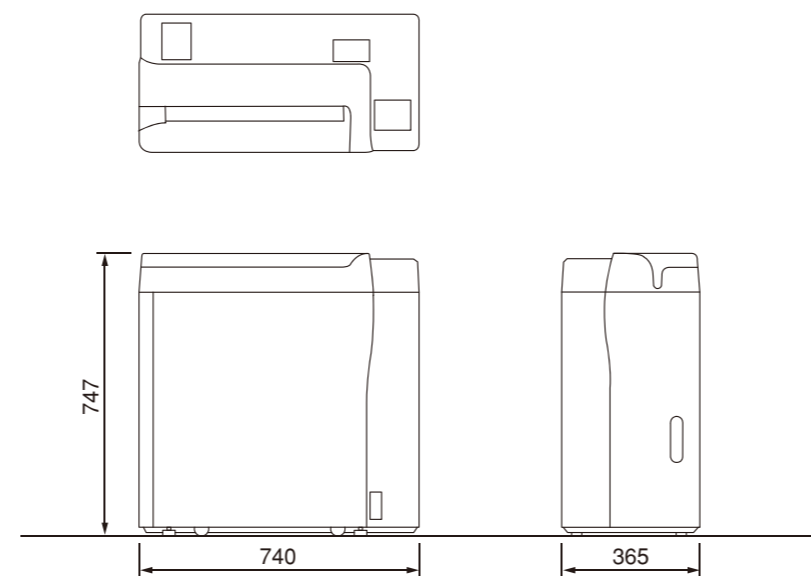
Power Consumption

AC100 / 110 / 115 / 120 / 200 / 220 / 230 / 240 V \pm 10%
50 / 60 Hz approx. 0.8kVA

Operating Conditions

Temperature : 15-30°C
Humidity : 35-80%RH (no condensation)

REGIUS MODEL 110 HQ Outer Dimensions



Unit : mm 1/20 scaled

★Specifications are subject to change without prior notice.



KONICA MINOLTA

KONICA MINOLTA MEDICAL & GRAPHIC, INC.

No.1, Sakura-machi, Hino-shi, Tokyo, 191-8511, Japan

Distributed by :



KONICA MINOLTA

DIRECT DIGITIZER
REGIUS MODEL 110 HQ
HIGH QUALITY and MAMMOGRAPHY



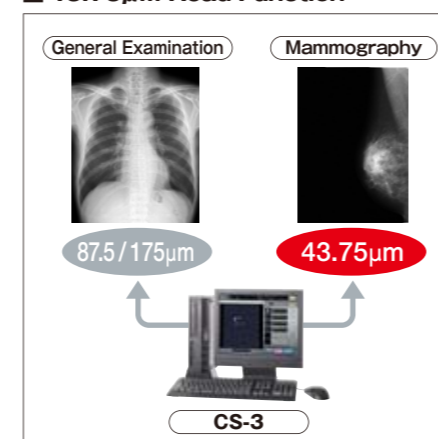
The essentials of imaging

On the very day of introduction, new workflow starts. It's the dawn of a clean, comfortable, and human- and environment-friendly new life without having to work in a darkroom, exchange liquid waste, or clean the process tank.



Compact and space-saving REGIUS MODEL 110 HQ is now supporting a high resolution read function for mammography.

43.75 μ m Read Function



43.75 μ m read capacity for mammography

In addition to previous 175 and 87.5 μ m read capacity, a new 43.75 μ m read function for mammography has been added. In mammography, highly valuable images are now available with higher resolution. Furthermore, ultra-high resolution imaging has been achieved by employing C-PLATE for mammography with excellent sharpness and granularity. Mammography cassette can be handled in the same manner as for previous standard cassette, providing the same operability.

Flexible Placement Options



Compact Design with the Smallest Depth of 365mm

The Regius Model 110 HQ features an astonishingly compact design with a footprint of only 0.27m². The two-way setting method allows selection of two patterns of layout depending on the use environmentally friendly. These proposals prove that we truly understand customer use environments.

Compact

The Regius Model 110 HQ delivers processing performance of 80 sheets/hour. This is the smallest, top-of-the-line Regius model with both compact design.

Entirely Simple, Comfortable Operability

The Regius Model 110 HQ allows for easy operation with the simple installation of an exposed cassette. The height of the cassette slot is 710 mm. Easy cassette installation is achieved. Continue to use existing cassettes for the Regius 170/190 as exposure cassettes.

* Only cassette & plate which was produced after April, 2004 can be used.



REGIUS CONSOLE

Our numerous console variations enable all customers to use the Regius Model 110 HQ as needed for complete customer satisfaction.

Professional Model CS-3 with User Customization Function

This is a high-end model with a multi-reader connection structure and an exposure condition key edit function. With user tools, execute such editing tasks as adjusting the image processing settings and output condition settings by body part. Abundant options and functions such as long integrated processing and coordination with X-ray equipment are also available.



Simple Model CS-2 with Distinguished Operability for Medical Practitioners

This Regius console features a user-friendly screen layout with intuitive, easy operability and a body shaped icon. The image-processing functions provide optimal images by body part. In addition, the unit stores information on adjusted image density and contrast, automatically customizing the finished images to suit the customer's needs.



H I G H - Q U A L I T Y